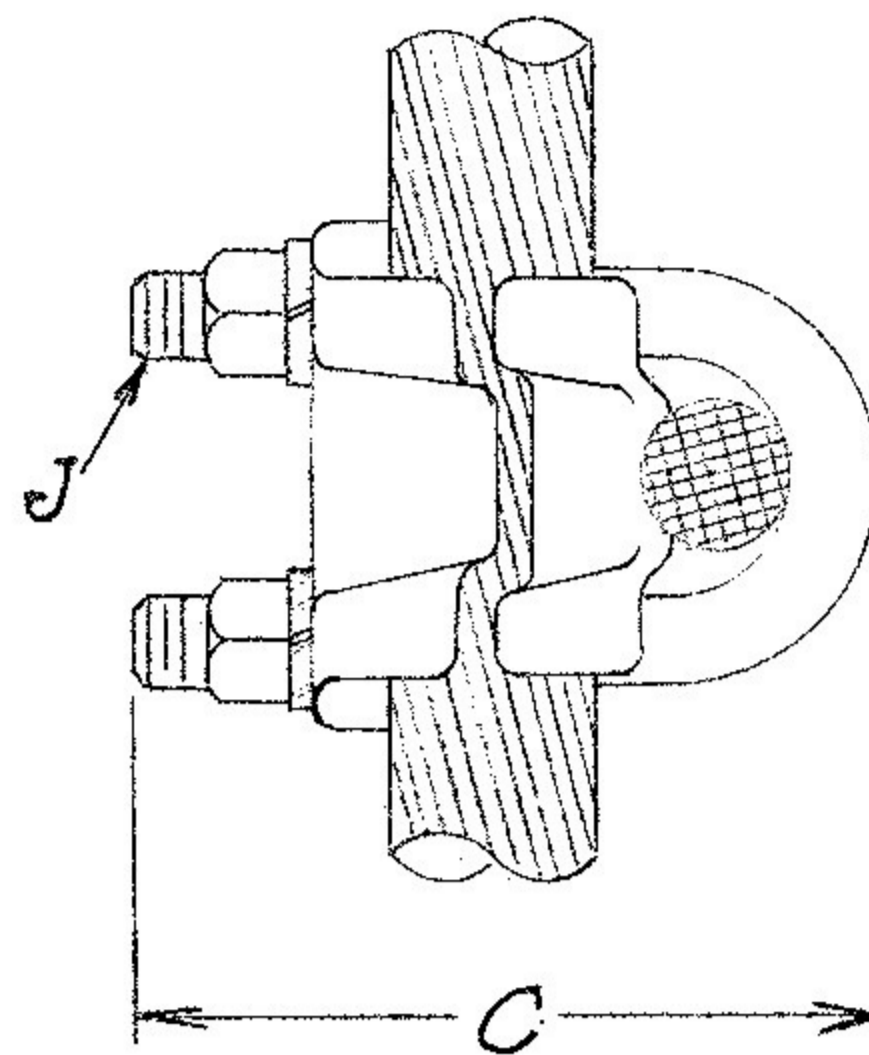
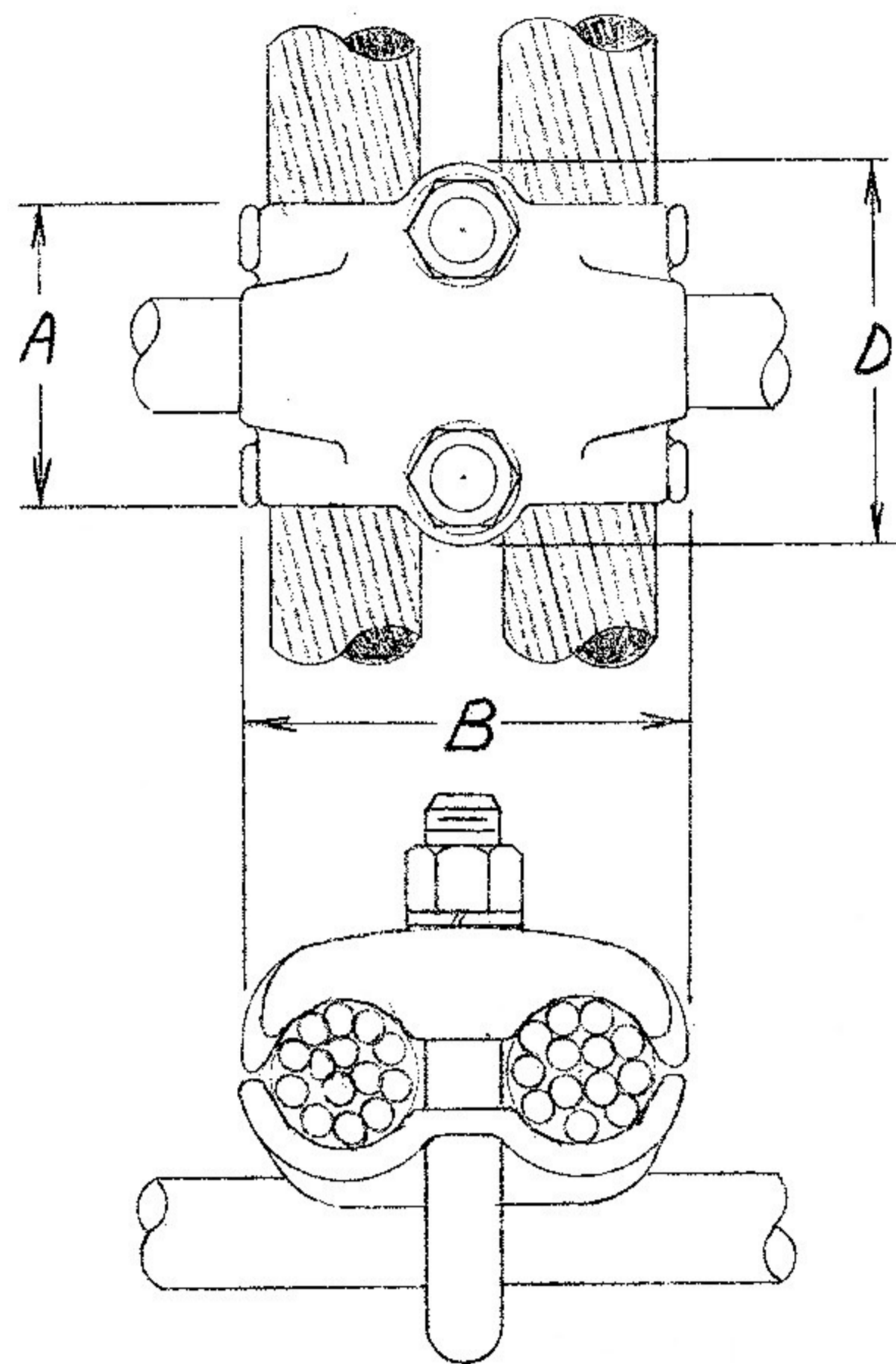


| REVISIONS | NO. | DATE    | DESCRIPTION                             | BY   |
|-----------|-----|---------|---|------|
|           | 4   | 1-24-67 | GC-115-88 DIM. B.WAS 1 3/4 D-N 3/8 J.S. | J.S. |
|           | 5   | 1-24-12 | ADDED NOTE 1                            | GD   |



**MATERIAL**  
 CLAMP IS CAST ELECTRICAL BRONZE  
 U-BOLT, NUTS & LOCKWASHERS  
 SILICON-BRONZE

NOTES:  
 1) SUFFIX 'TP' DENOTES TIN PLATING ON THE CAST  
 BOTTOM AND TOP CLAMPS

| REVISIONS | NO. | DATE    | DESCRIPTION                        | BY |
|-----------|-----|---------|------------------------------------|----|
|           | 2   | 3-10-59 | REVISED BY RE-DRAWN                | GM |
|           | 3   | 6-29-59 | REVISED TO AGREE WITH PATTERN DWG. | GM |

| CATALOG NUMBERS | ROD-TUBING-I.P.S. |           | CABLE RANGE |          | DIMENSIONS IN INCHES |       |       |       |     |
|-----------------|-------------------|-----------|-------------|----------|----------------------|-------|-------|-------|-----|
|                 | ROD OR TUBE SIZE  | I.P.S.    | MIN.        | MAX.     | A                    | B     | C     | D     | J   |
| GC-115-2A       | 1/2"-5/8"         | 1/4"-3/8" | #8 SOL.     | #4 STR.  | 1 1/2                | 1 1/4 | 2 3/8 | 2     | 3/8 |
| GC-115-2B       | 1/2"-5/8"         | 1/4"-3/8" | #4 SOL.     | 2/0 STR. | 1 1/2                | 1 3/4 | 2 5/8 | 2     | 3/8 |
| GC-115-2C3      | 1/2"-5/8"         | 1/4"-3/8" | 2/0 SOL.    | 250MCM   | 1 3/4                | 2 1/8 | 2 5/8 | 2     | 3/8 |
| GC-115-2C       | 1/2"-5/8"         | 1/4"-3/8" | 2/0 SOL.    | 250MCM   | 1 3/4                | 2 1/8 | 3 1/8 | 2 1/4 | 1/2 |
| GC-115-2D       | 1/2"-5/8"         | 1/4"-3/8" | 250MCM      | 500MCM   | 2                    | 2 5/8 | 3 1/2 | 2 3/8 | 1/2 |
| GC-115-3A       | 5/8"-1"           | 3/8"-3/4" | #8 SOL.     | #4 STR.  | 1 1/2                | 1 1/4 | 2 3/4 | 2 3/4 | 3/8 |
| GC-115-3B       | 5/8"-1"           | 3/8"-3/4" | #4 SOL.     | 2/0 STR. | 1 1/2                | 1 3/4 | 3     | 2 3/8 | 3/8 |
| GC-115-3C3      | 5/8"-1"           | 3/8"-3/4" | 2/0 SOL.    | 250MCM   | 1 3/4                | 2 1/8 | 3 1/8 | 2 3/8 | 3/8 |
| GC-115-3C       | 5/8"-1"           | 3/8"-3/4" | 2/0 SOL.    | 250MCM   | 1 3/4                | 2 1/8 | 3 1/2 | 2 5/8 | 1/2 |
| GC-115-3D       | 5/8"-1"           | 3/8"-3/4" | 250MCM      | 500MCM   | 2                    | 2 5/8 | 3 3/4 | 2 5/8 | 1/2 |
| GC-115-4A       | 1"-1 1/4"         | 3/4"-1"   | #8 SOL.     | #4 STR.  | 1 3/4                | 1 1/4 | 3     | 2 5/8 | 3/8 |
| GC-115-4B       | 1"-1 1/4"         | 3/4"-1"   | #4 SOL.     | 2/0 STR. | 1 3/4                | 1 3/4 | 3 1/4 | 2 5/8 | 3/8 |
| GC-115-4C3      | 1"-1 1/4"         | 3/4"-1"   | 2/0 SOL.    | 250MCM   | 1 3/4                | 2 1/8 | 3 1/4 | 2 5/8 | 3/8 |
| GC-115-4C       | 1"-1 1/4"         | 3/4"-1"   | 2/0 SOL.    | 250MCM   | 1 3/4                | 2 1/8 | 3 7/8 | 2 7/8 | 1/2 |
| GC-115-4D       | 1"-1 1/4"         | 3/4"-1"   | 250MCM      | 500MCM   | 2 1/8                | 2 5/8 | 4     | 2 7/8 | 1/2 |
| GC-115-5A       | 1 3/4"            | 1 1/4"    | #8 SOL.     | #4 STR.  | 1 7/8                | 1 1/4 | 3 3/8 | 3 3/8 | 3/8 |

|       |   |   |
|-------|---|---|
| 53    | GROUND CLAMP<br>TABULATION<br>TYPE GC-115 | R/5 ANDERSON BRASS WORKS, INC.<br>BIRMINGHAM, ALABAMA |
| BY N. | CAT. NO. GC-115                           | DWG. NO. C-2917                                       |

| CATALOG NUMBER | ROD-TUBING I.P.S. |        | CABLE RANGE |          | DIMENSIONS IN INCHES |        |       |        |     |
|----------------|-------------------|--------|-------------|----------|----------------------|--------|-------|--------|-----|
|                | ROD OR TUBE SIZE  | I.P.S. | MIN.        | MAX.     | A                    | B      | C     | D      | J   |
| GC-115-5B      | 1 3/4"            | 1 1/4" | #4 SOL.     | 2/0 STR. | 1 7/8                | 1 3/4  | 3 3/4 | 3 1/8  | 3/8 |
| GC-115-5C3     | 1 3/4"            | 1 1/4" | 2/0 SOL.    | 250MCM   | 1 7/8                | 2 1/8  | 3 3/4 | 3 1/8  | 3/8 |
| GC-115-5C      | 1 3/4"            | 1 1/4" | 2/0 SOL.    | 250MCM   | 1 7/8                | 2 1/8  | 4 3/8 | 3 3/8  | 1/2 |
| GC-115-5D      | 1 3/4"            | 1 1/4" | 250MCM      | 500MCM   | 2 1/8                | 2 5/8  | 4 1/2 | 3 3/8  | 1/2 |
| GC-115-5E      | 1 3/4"            | 1 1/4" | 500MCM      | 800MCM   | 2 3/8                | 3      | 5     | 3 5/8  | 5/8 |
| GC-115-6A      | 2"                | 1 1/2" | #8 SOL.     | #4 STR.  | 2 1/4                | 1 1/4  | 3 5/8 | 3 3/8  | 3/8 |
| GC-115-6B      | 2"                | 1 1/2" | #4 SOL.     | 2/0 STR. | 2 1/4                | 1 3/4  | 4     | 3 3/8  | 3/8 |
| GC-115-6C3     | 2"                | 1 1/2" | 2/0 SOL.    | 250MCM   | 2 1/4                | 2 1/8  | 4     | 3 3/8  | 3/8 |
| GC-115-6C      | 2"                | 1 1/2" | 2/0 SOL.    | 250MCM   | 2 1/4                | 2 1/8  | 4 5/8 | 3 5/8  | 1/2 |
| GC-115-6D      | 2"                | 1 1/2" | 250MCM      | 500MCM   | 2 1/2                | 2 5/8  | 4 3/4 | 3 5/8  | 1/2 |
| GC-115-6E      | 2"                | 1 1/2" | 500MCM      | 800MCM   | 2 3/4                | 3      | 5 1/4 | 3 7/8  | 5/8 |
| GC-115-7A      | 2 1/2"            | 2"     | #8 SOL.     | #4 STR.  | 2 3/4                | 1 1/4  | 4 1/8 | 3 7/8  | 3/8 |
| GC-115-7B      | 2 1/2"            | 2"     | #4 SOL.     | 2/0 STR. | 2 3/4                | 1 1/16 | 4 1/2 | 3 3/4  | 3/8 |
| GC-115-7C3     | 2 1/2"            | 2"     | 2/0 SOL.    | 250MCM   | 2 3/4                | 2 1/8  | 4 1/2 | 3 7/8  | 3/8 |
| GC-115-7C      | 2 1/2"            | 2"     | 2/0 SOL.    | 250MCM   | 2 3/4                | 2 1/8  | 5 1/8 | 4 1/8  | 1/2 |
| GC-115-7D      | 2 1/2"            | 2"     | 250MCM      | 500MCM   | 3                    | 2 5/8  | 5 1/4 | 4 1/8  | 1/2 |
| GC-115-7E      | 2 1/2"            | 2"     | 500MCM      | 800MCM   | 3 1/4                | 3      | 5 3/4 | 4 3/8  | 5/8 |
| GC-115-8B      | 3"                | 2 1/2" | #4 SOL.     | 2/0 STR. | 3 1/4                | 1 1/16 | 5     | 4 5/16 | 3/8 |
| GC-115-8C3     | 3"                | 2 1/2" | 2/0 SOL.    | 250MCM   | 3 1/4                | 2 1/8  | 5     | 4 3/8  | 3/8 |
| GC-115-8C      | 3"                | 2 1/2" | 2/0 SOL.    | 250MCM   | 3 1/4                | 2 1/16 | 5 5/8 | 4 5/8  | 1/2 |
| GC-115-8D      | 3"                | 2 1/2" | 250MCM      | 500MCM   | 3 1/2                | 2 5/8  | 5 3/4 | 4 5/8  | 1/2 |
| GC-115-8E      | 3"                | 2 1/2" | 500MCM      | 800MCM   | 3 3/4                | 3      | 6 1/4 | 4 7/8  | 5/8 |
| GC-115-9B      | 3 1/2"            | 3"     | #4 SOL.     | 2/0 STR. | 3 3/4                | 1 3/4  | 5 1/2 | 4 7/8  | 3/8 |
| GC-115-9C3     | 3 1/2"            | 3"     | 2/0 SOL.    | 250MCM   | 3 3/4                | 2 1/8  | 5 1/2 | 4 7/8  | 3/8 |
| GC-115-9C      | 3 1/2"            | 3"     | 2/0 SOL.    | 250MCM   | 3 3/4                | 2 1/8  | 6 1/8 | 5 1/8  | 1/2 |
| GC-115-9D      | 3 1/2"            | 3"     | 250MCM      | 500MCM   | 4                    | 2 5/8  | 6 1/4 | 5 1/8  | 1/2 |
| GC-115-9E      | 3 1/2"            | 3"     | 500MCM      | 800MCM   | 4 1/4                | 3      | 6 3/4 | 5 3/8  | 5/8 |
| GC-115-10B     | 4"                | 3 1/2" | #4 SOL.     | 2/0 STR. | 4 1/4                | 1 3/4  | 6     | 5 3/8  | 3/8 |
| GC-115-10C3    | 4"                | 3 1/2" | 2/0 SOL.    | 250MCM   | 4 1/4                | 2 1/8  | 6     | 5 3/8  | 3/8 |
| GC-115-10C     | 4"                | 3 1/2" | 2/0 SOL.    | 250MCM   | 4 1/4                | 2 1/8  | 6 5/8 | 5 5/8  | 1/2 |
| GC-115-10D     | 4"                | 3 1/2" | 250MCM      | 500MCM   | 4 1/2                | 2 5/8  | 6 3/4 | 5 5/8  | 1/2 |
| GC-115-10E     | 4"                | 3 1/2" | 500MCM      | 800MCM   | 4 3/4                | 3      | 7 1/4 | 5 7/8  | 5/8 |
| GC-115-11B     | 4 1/2"            | 4"     | #4 SOL.     | 2/0 STR. | 4 3/4                | 1 3/4  | 6 1/2 | 5 7/8  | 3/8 |
| GC-115-11C3    | 4 1/2"            | 4"     | 2/0 SOL.    | 250MCM   | 4 3/4                | 2 1/8  | 6 1/2 | 5 7/8  | 3/8 |
| GC-115-11C     | 4 1/2"            | 4"     | 2/0 SOL.    | 250MCM   | 4 3/4                | 2 1/8  | 6 7/8 | 6 1/8  | 1/2 |
| -115-11D       | 4 1/2"            | 4"     | 250MCM      | 500MCM   | 5                    | 2 5/8  | 7 1/4 | 6 1/8  | 1/2 |
| 115-11E        | 4 1/2"            | 4"     | 500MCM      | 800MCM   | 5 1/4                | 3      | 7 3/4 | 6 3/8  | 5/8 |

GROUND CLAMP  
TABULATION  
TYPE-GC-115

R/5 ANDERSON BRASS WORKS, INC.  
BIRMINGHAM, ALABAMA

CAT. NO. GC-115

DWG. NO. C-2917

Sh:2